

Remodel LED Flanged Adjustable Housing

E3RF-_AN- 1.1

VISUAL COMFORT & Co.

ARCHITECTURAL COLLECTION

GENERAL PRODUCT INFORMATION



This product is suitable for remodel and new construction applications.

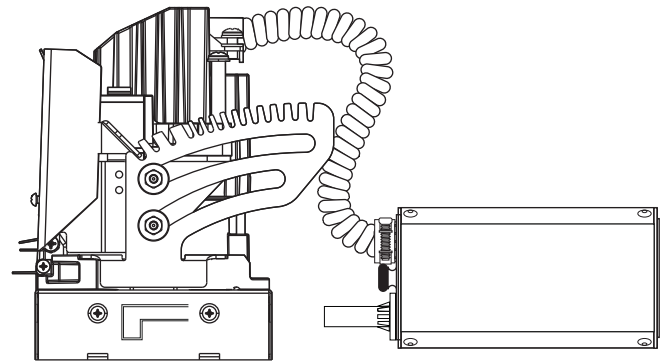
This product is suitable for damp locations.

This product is approved for use at any height above the finished floor.

Do not install insulation within 76 mm (3 in) of any part of this luminaire.

This product can be dimmed with a standard electronic dimmer.

A typical installation is shown. Specific installation must be in accordance with local electrical codes. Read all instructions thoroughly before installing.



CAUTION - RISK OF FIRE
 This product must be installed in accordance with the applicable installation code by a person familiar with the construction and operation of the product and the hazards involved.
 Use minimum 90°C supply conductors.

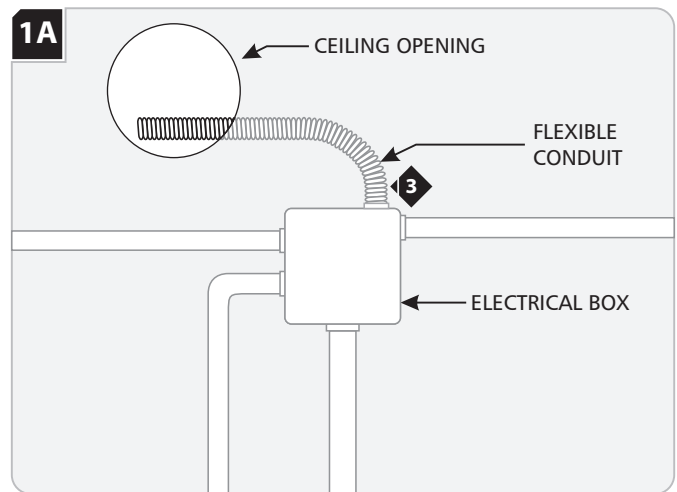
NOTE: Choose an installation location with enough clearance to allow tilt adjustability.

SAVE THESE INSTRUCTIONS!

Prepare for Installation

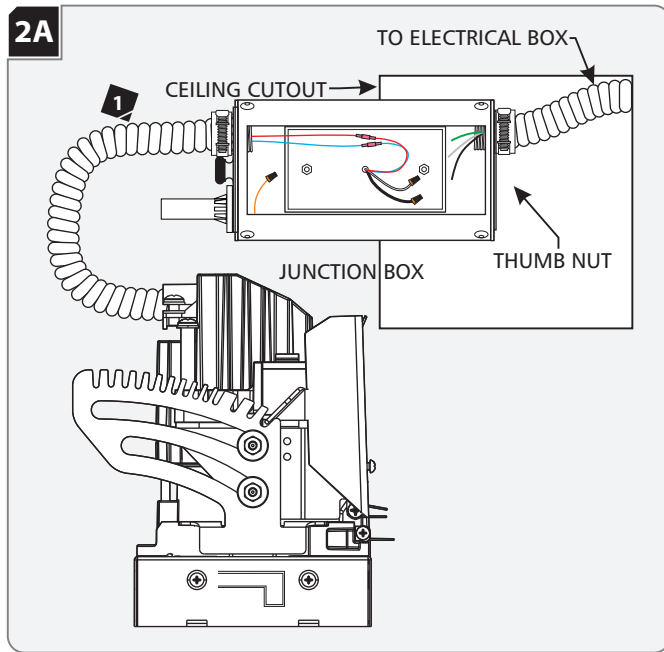
CEILING CUTOUT	CEILING THICKNESS	
	Under 1"	Above 1"
Round Flanged	∅ 4"	N/A
Round Flangeless	∅ 4"	∅ 5"
Square Flanged	□ 4"	□ 4"
Square Flangeless	□ 4"	□ 5"

- 1 Locate any electrical boxes and conduit already present in the ceiling.
- 2 Mark the center of the desired fixture location and follow the table above for ceiling cut out dimensions. Take care not to damage any existing electrical boxes or conduit.



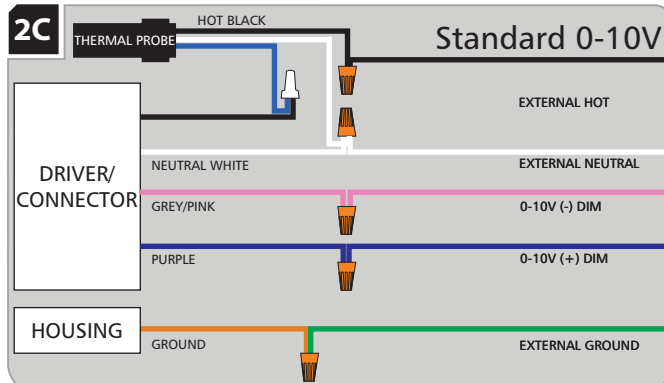
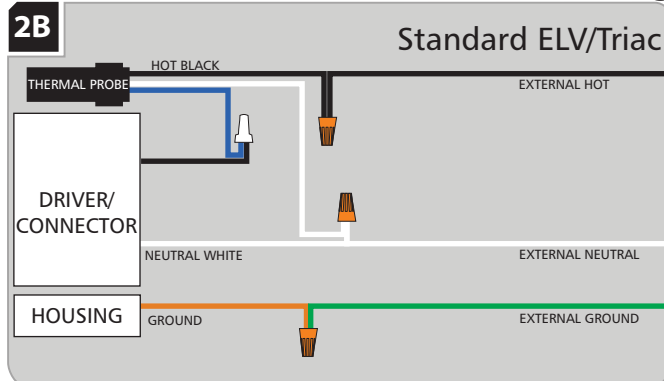
- 3 Attach flexible conduit (not included) to an electrical box and feed the conduit out of the hole.

Connect Power to the Fixture

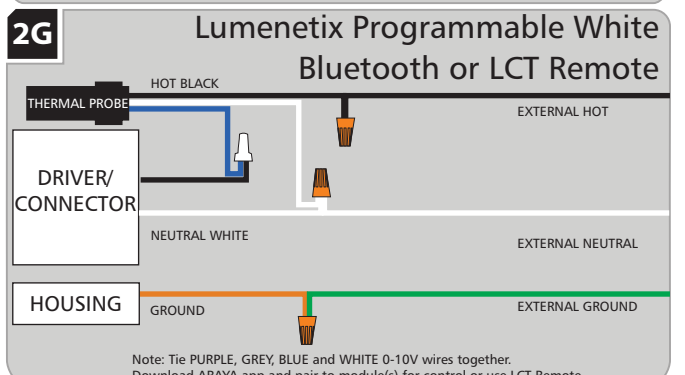
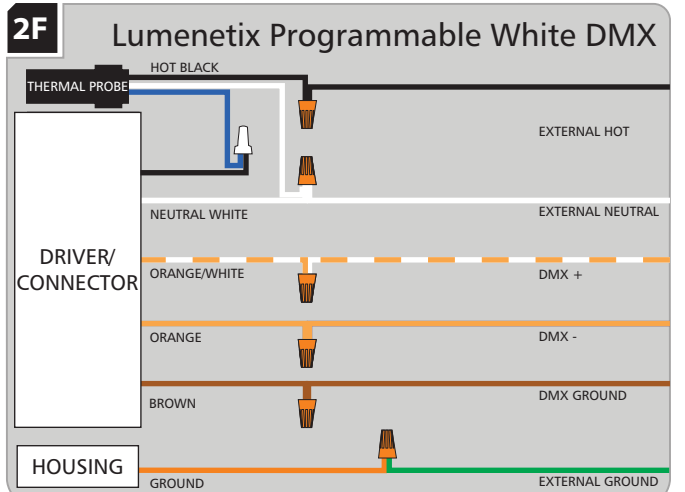
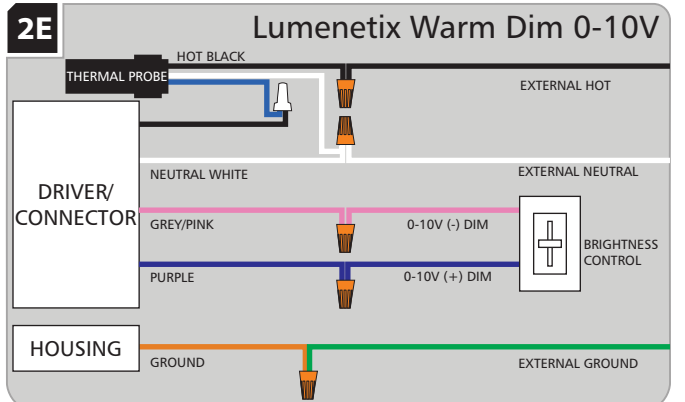
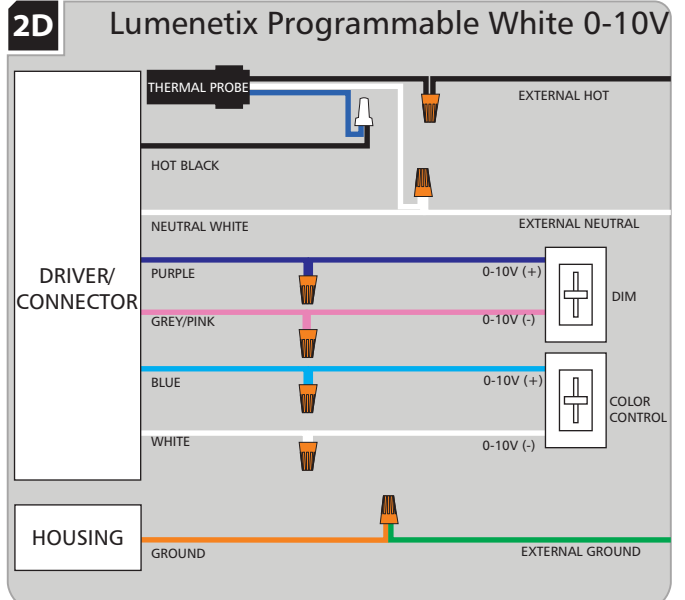


- 1 Loosen the thumbnut and remove the cover from the junction box.
- 2 Attach flexible conduit (installed in section 1A) to the junction box.
- 3 Power the fixture using the following wiring diagrams according to the driver included with the fixture.

Standard Driver Wiring

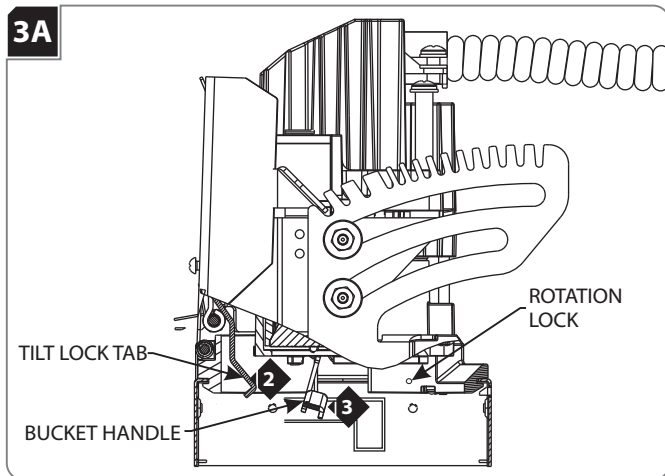


Lumenetix Wiring

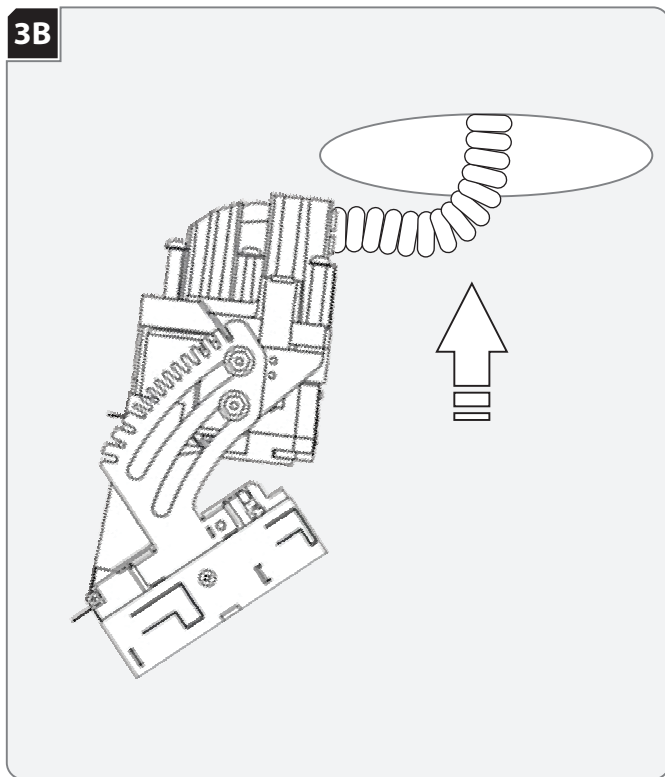


Note: Tie PURPLE, GREY, BLUE and WHITE 0-10V wires together.
Download ARAYA app and pair to module(s) for control or use LCT Remote.

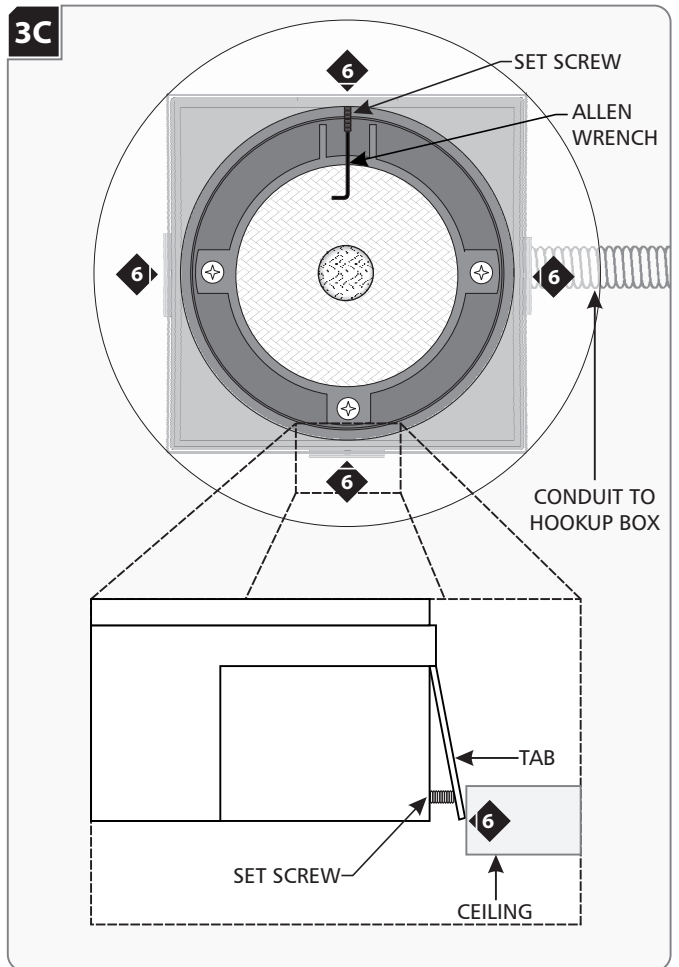
Install the Fixture



- 1 Pre-Tilt Fixture 20-40 degrees (Depending on ceiling cutout) to prepare for entry into ceiling aperture
- 2 To unlock tilt, pull tilt lock tab towards optic.
- 3 For improved control during tilt action, use bucket handle in conjunction with tilt lock tab during adjustment.



- 4 Place the junction box into the ceiling.
- 5 Slide the housing into the hole in the ceiling.

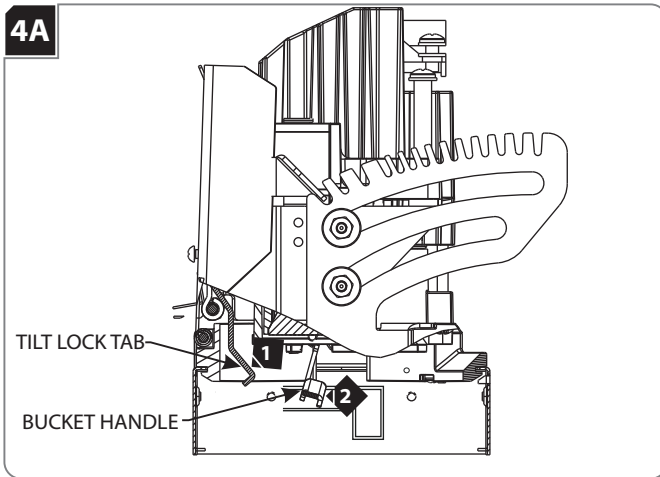


- 6 Secure the housing by screwing in the four set screws until they are flush with the inner wall of the housing. Alternate screws before tightening all the way to ensure housing remains centered in the ceiling cutout.
- 7 Ensure that all the tabs are tightly pushed against the ceiling; securing the housing in place.

Adjust the Tilt

NOTE: Make sure the lamp housing has enough clearance prior to tilt adjustment.

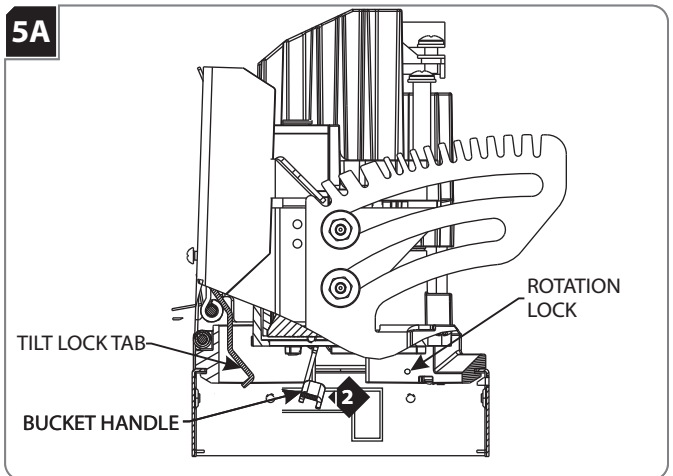
4A



- 1 To unlock tilt, pull tilt lock tab towards optic.
- 2 For improved control during tilt action, use bucket handle in conjunction with tilt lock tab during adjustment.

Adjust High-Low

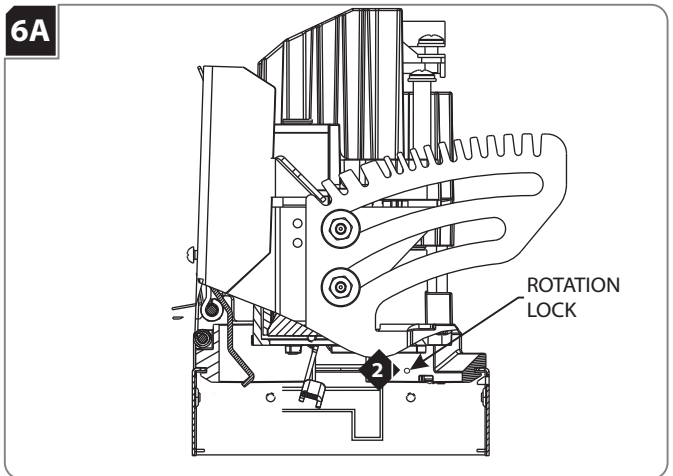
5A



- 1 For high position, push up on the center of the LED optic.
- 2 To return to low position, grab the bucket handle and pull down.

Adjust Rotation

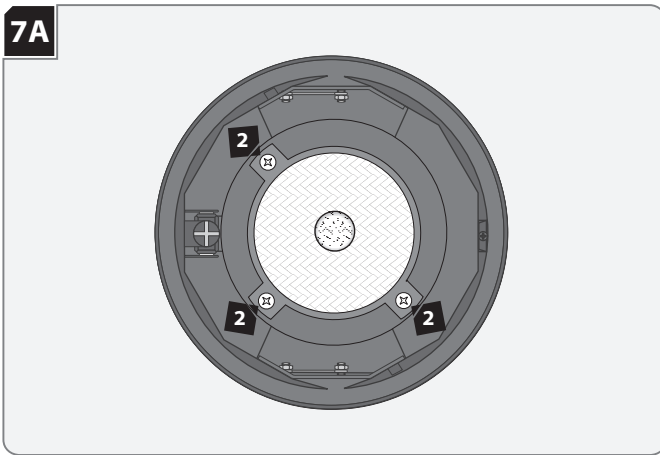
6A



- 1 Rotate fixture to desired location.
- 2 Lock Rotation by tightening set screw.

Replacing the Lamp

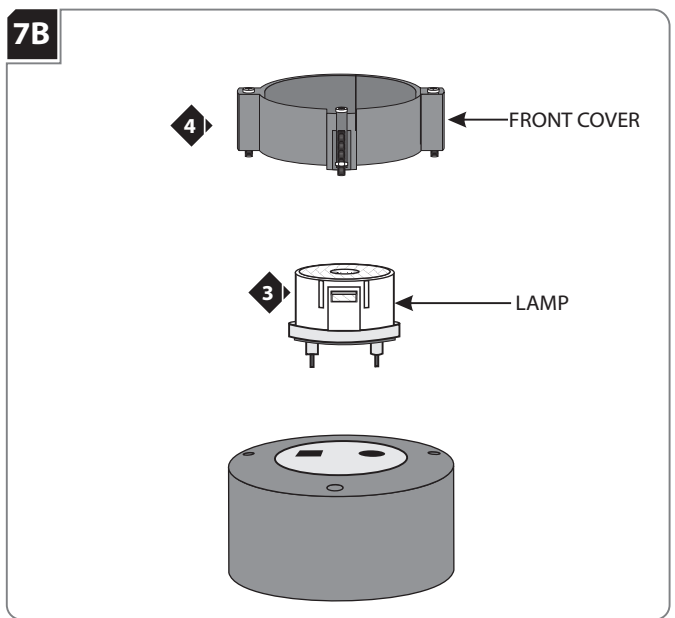
7A



CAUTION: To reduce the risk of a burn or electric shock during relamping, disconnect the power to the fixture.

- 1 Remove the trim from the fixture.
- 2 Loosen all three screws from the front cover and pull the LED lamp out.

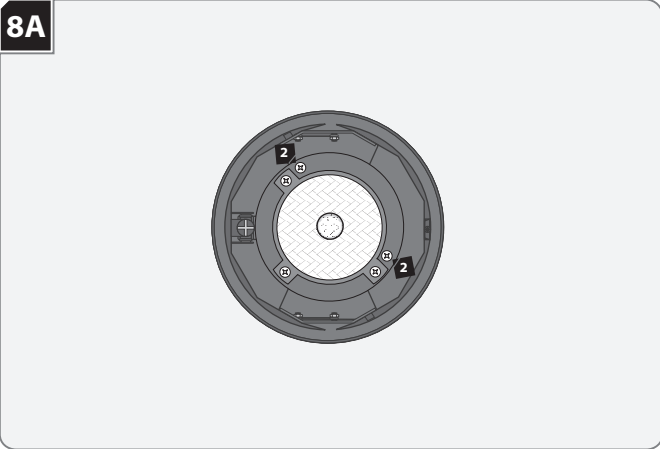
7B



Use **ONLY 18 WATT** proprietary Element Lighting LED lamp.

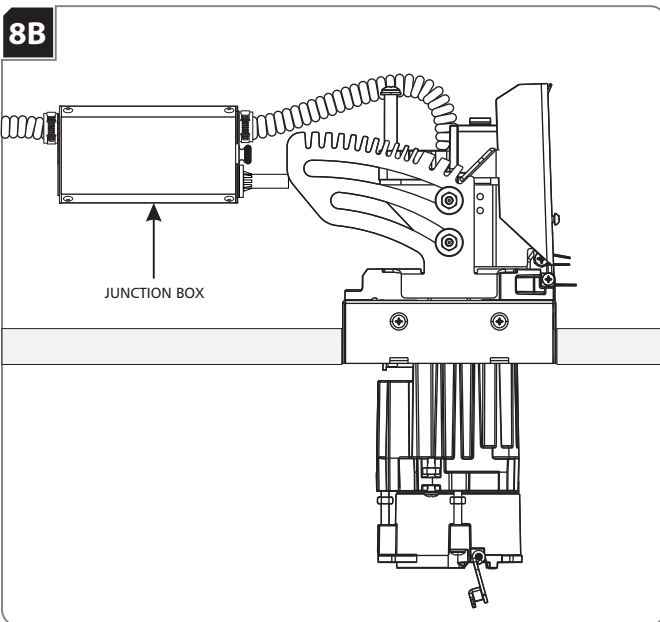
- 3 Line up the square and round pegs in the new lamp with the holes in the heatsink and push the new lamp into place.
- 4 Replace the front cover.
- 5 Reinstall the trim.

Replacing the Driver

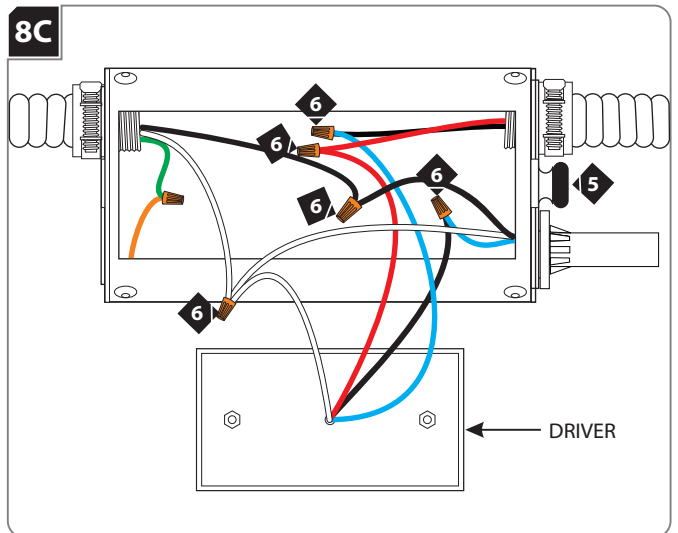


CAUTION: To reduce the risk of a burn or electric shock during the driver replacement, disconnect the power to the fixture.

- 1 Pull out the trim.
- 2 Adjust the tilt so the fixture points straight down.
- 3 Loosen the two screws marked in the diagram.



- 4 Pull the heatsink, module and driver through the aperture.



- 5 Loosen the thumb nut and remove the cover from the Junction box.
- 6 Release the driver by loosening the wire nuts which are connected to its wires. Take note of the wire colors and corresponding connections.
- 7 Install the new driver.
- 8 Place the wires and wire nut connections properly into the junction box and replace the cover.
- 9 Reinstall the fixture and trim. (See figure 3A)

Notes:

